

ALSD Mono 230X-96M

Data sheet **ALSD Mono 230X-96M**



advantage of ALSD Mono 230X-96M

- manufactured by one of the biggest module-manufacturer
- closed production-chain
- quality-management according ISO 9001
- certification: UL1703 TUV
- max. system volt. 1.000V
- tolerance 0 to 3%
- easy to set up
- habile dimension

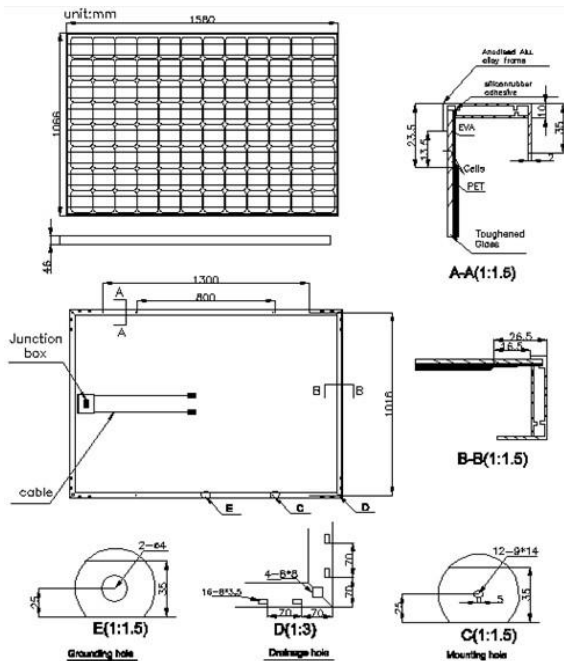
electrical characteristics

Nominal power P_{nom} under STC[Wp]	210	215	220	225	230	235
Max. system voltage [V]	1.000	1.000	1.000	1.000	1.000	1.000
Voltage U_{mpp} [V]	46.3	46.8	47.3	47.9	48.5	48.7
Current I_{mpp} [A]	4.54	4.59	4.65	4.69	4.74	4.82
Open circuit voltage U_{OC} [V]	58.2	58.4	58.5	58.6	58.8	58.9
Short circuit current I_{SC} [A]	5.04	5.08	5.14	5.16	5.20	5.23
Module Efficiency[%]	12.5	12.8	13.1	13.4	13.7	14.0

Technical data: ALSD 230X-96M

General data:

Cells per module	96
Kind of cell	Mono crystalline
Shape of cell [mm]	125 x 125
Weight	23 kg
Frame	Aluminium - anodized
Dimension [L x B x H mm]	1580 x 1066 x 46
Tolerance	0 to 3%



Temperature coefficients

Short circuit voltage U_{oc}	- 0.34 % / °C
Short circuit current I_{oc}	+ 0.038 % / °C

Merchant: