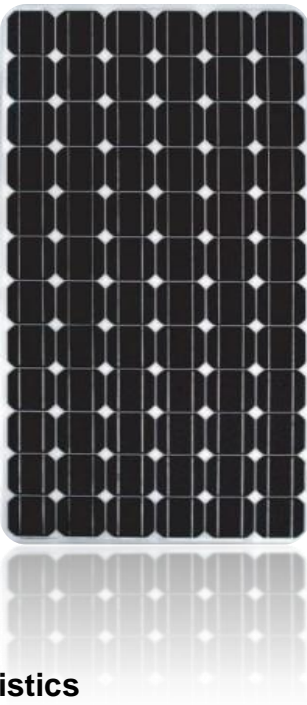


ALSD Mono 170X-72M

Data sheet **ALSD Mono 170X-72M**



electrical characteristics

advantage of ALSD Mono 170X-72M

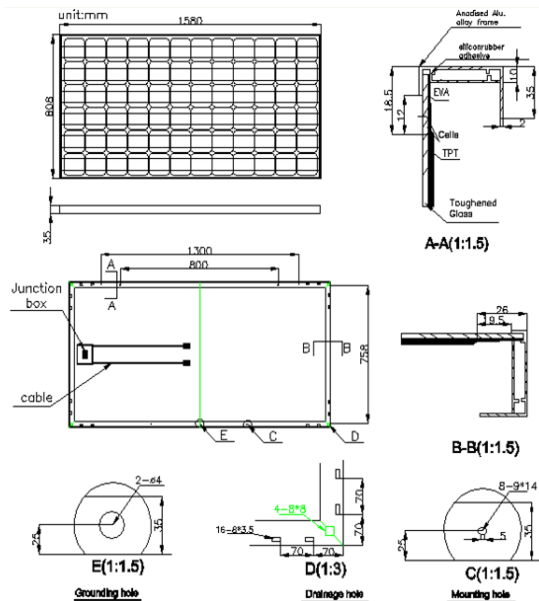
- manufactured by one of the biggest module-manufacturer
- closed production-chain
- quality-management according ISO 9001
- certification: UL1703 TUV
- max. system volt. 1.000V
- tolerance 0 to 3%
- easy to set up
- habile dimension

Nominal power P_{nom} under STC[Wp]	155	160	165	170	175	180	185	190
Max. system voltage [V]	1.000	1.000	1.000	1.000	1.000	1.000	1.000	1.000
Voltage U_{mpp} [V]	34.6	34.9	35.6	35.8	36.2	36.8	37.5	37.7
Current I_{mpp} [A]	4.48	4.60	4.65	4.76	4.85	4.90	4.95	5.04
Open circuit voltage U_{OC} [V]	44.0	44.3	44.4	44.5	44.7	44.8	44.9	45.1
Short circuit current I_{SC} [A]	5.0	5.05	5.1	5.15	5.20	5.25	5.30	5.35
Module Efficiency[%]	12.1	12.5	12.9	13.3	13.7	14.1	14.5	14.9

Technical data: ALSD 170X-72M

General data:

Cells per module	72
Kind of cell	Mono crystalline
Shape of cell [mm]	125 x 125
Weight	15 kg
Frame	Aluminium - anodized
Dimension [L x B x H mm]	1580 x 808 x 35
Tolerance	0 to 3%



Temperature coefficients

Short circuit voltage U_{oc}	- 0.34 % / °C
Short circuit current I_{oc}	+ 0.038 % / °C

Merchant: